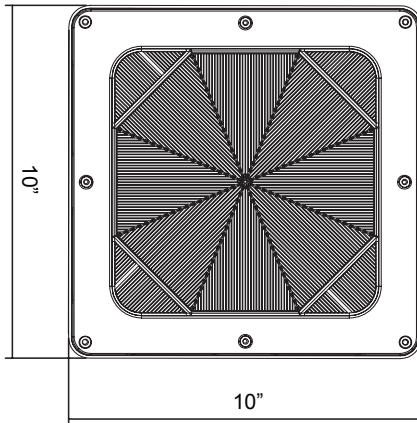


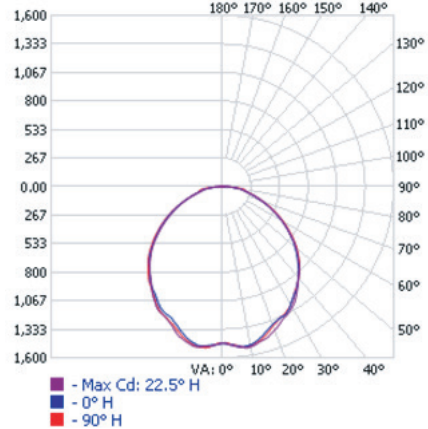
PRODUCT DIMENSIONS

PHOTOMETRIC SPECS / ILLUMINANCE AT A DISTANCE

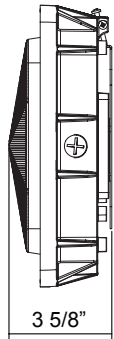
BOTTOM VIEW



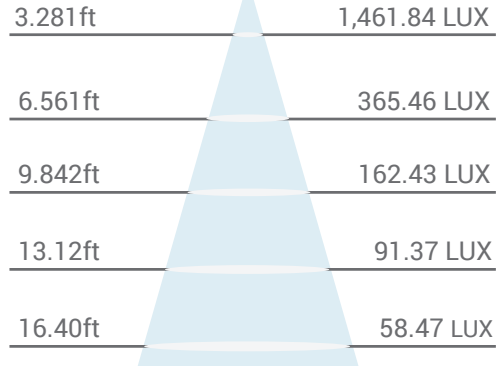
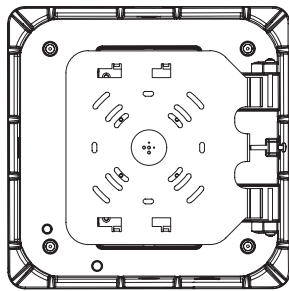
Polar Candela Distribution



SIDE VIEW



TOP VIEW



TECHNICAL DATA

LIGHT SPECIFICATIONS

Lumens	4258
Efficacy	113.39 lm/W
CCT	4000K
CRI	≥82.1
Dimmable	No
Replaces	up to a 150W H.P.S.

DRIVER

Brand	Inventronics
Driver Type	Constant Current
Driver Output	25-42V

HOURS

Rated Hours	50,000
-------------	---------------

ELECTRICAL

Wattage	40W
System Watts	37.56W
Input Voltage	347-480V
Power Factor	0.9541
THD	9.12%

CONSTRUCTION

Housing Material	Alloy Aluminum
Lens Material	Polycarbonate Drop Lens
Finish & Color	Bronze
IP Rating	IP65
Knockout Size	3/4"

LED CHIP

Chip Brand	PHILIPS LUMILEDS
Chip Type	SMD 3030

TEMPERATURE

Minimum Start	-40°C / -40°F
Ambient Temp	40°C / 104°F

DIMENSIONS & WEIGHT

Dimensions	10" x 10" x 3 5/8"
Weight	3.0 KGS

APPROVALS & LISTINGS

cUL	IFAM7.E473127
DLC Listed	PCJP6ZPX
IESNA	LM79