



10 YEAR WARRANTY

DESCRIPTION

This FL2 series flood light is the latest addition to our commercial LED flood light collection. Utilizing world-leading Lumileds chips and being DLC 4.1 listed, it is the most reliable and efficient fixture available on the market. Available in multiple mounting options including yoke mount and slip fitter, this is the fixture of choice for jobs that require installing lights on walls or poles to illuminate building perimeters, walkways, and landscapes.

POPULAR APPLICATIONS



BUILDING PERIMETERS



WALKWAYS

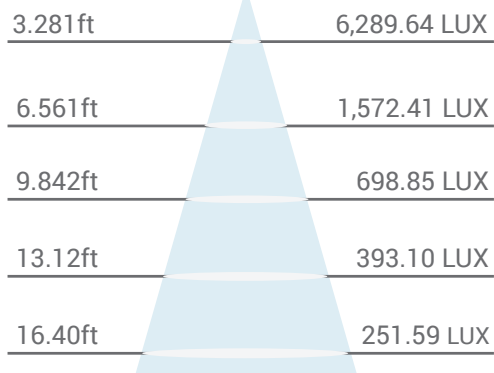
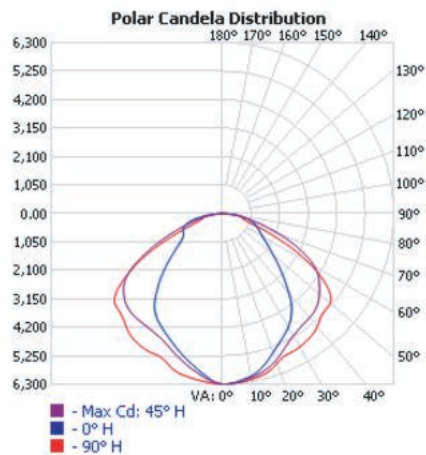
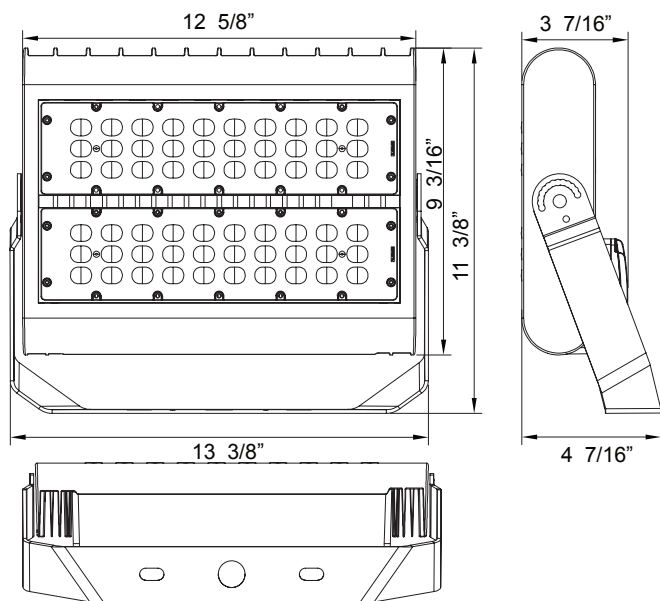


EXTERIOR WALLS



PARKING LOTS

PRODUCT DIMENSIONS / PHOTOMETRIC SPECS / ILLUMINANCE AT A DISTANCE



TECHNICAL DATA

LIGHT SPECIFICATIONS

Lumens	18,486
Efficacy	120.67 lm/W
CCT	4000K
CRI	≥82.3
Replaces	up to 750W Metal Halide / High Pressure Sodium

DRIVER

Brand	Inventronics
Driver Type	Constant Current
Driver Output	27-34V

HOURS

Rated Hours	50,000
-------------	---------------

ELECTRICAL

Wattage	150W
System Watts	153.2W
Input Voltage	100-277V
THD	<7%
Power Factor	0.93

CONSTRUCTION

Housing Material	Aluminum Alloy
Lens Material	Polycarbonate Drop Lens
IP Rating	IP65

LED CHIP

Chip Brand	LUMILEDS
Chip Type	SMD 3030

TEMPERATURE

Minimum Start	-40°C
Ambient Temp	40°C

DIMENSIONS & WEIGHT

Dimensions	12 5/8" x 11 3/8" x 3 7/16"
Weight	5.2 KGS

APPROVALS & LISTINGS

cUL	IFAM7.E47312X
DLC Listed	PG4Y5FJE
IESNA	LM-79 & LM-80
NEMA	Type 7