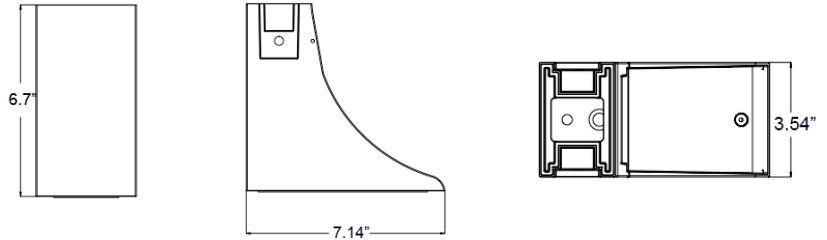


Catalog #	
Project	
Date	
Prepared by	
Model #	

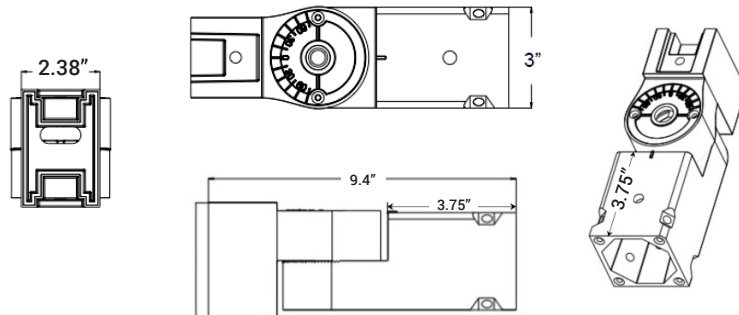
FL3-SERIES MULTI-MOUNT FLOOD LIGHT ACCESSORIES



PRODUCT INFORMATION	
Model #	FL3-MA
Description	Mounting Arm Attachment for FL3-Series Multi-Mount Floods
Material	Powder Coated ADC12 Aluminum Alloy
Use	Easily swap out the trunnion mount (included) on FL3-Series Multi-Mount Floods and attach the FL3-MA for fixed position applications.
Dimensions	7.14" x 6.7" x 3.64" (181mm x 170mm x 92.5mm)



PRODUCT INFORMATION	
Model #	FL3-SF
Description	Slip Fitter Attachment for FL3-Series Multi-Mount Floods
Material	Powder Coated ADC12 Aluminum Alloy
Use	Easily swap out the trunnion mount (included) on FL3-Series Multi-Mount Floods and attach the FL3-SF for applications where adjusting different angles is required.
Dimensions	9.4" x 3" with 2.65" opening for pole/tenon installs (239 mm x 76.2mm with 60.5mm opening)





PRODUCT INFORMATION	
Model #	FL3-RPA
Description	Round Pole Adapter for FL3-Series Multi-Mount Floods
Material	Powder Coated ADC12 Aluminum Alloy
Use	Attach the FL3-Series Flood Light to round poles. Comes with three gaskets to allow attachment to 4", 5" and 6" outer diameter poles.
Dimensions	3.62" x 1.96" (92mm x 49.7mm)

* Requires the FL3-MA Mounting Arm Attachment

