

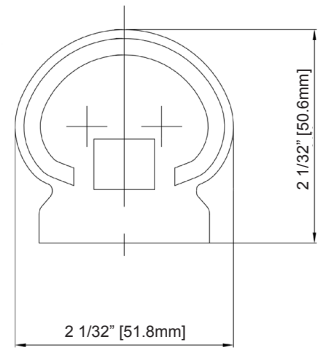
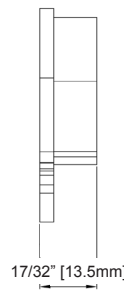
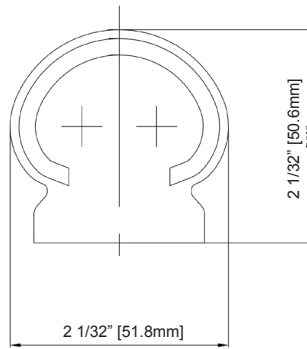
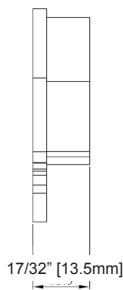
| | |
|-------------|--|
| Project | |
| Date | |
| Prepared by | |
| Model # | |

RK1-SERIES ACCESSORIES FOR LINEAR RETROFIT KITS



PRODUCT INFORMATION

| | |
|--------------------|--|
| Model # | RK1-CAPS |
| Description | End caps that close up the end of the RK1 strips |
| Material | Polycarbonate |
| Use | Reduce ingress of bugs and dust |
| Dimensions | L: 2 1/32" (50.6mm), W: 2 1/32" (51.8mm), H: 17/32" (13.5mm) |



PRODUCT INFORMATION

| | |
|--------------------|---|
| Model # | RK1-CLIPS |
| Description | Metal mounting clips that click onto the RK1 strips |
| Material | Aluminum |
| Use | Extra secure strip mounting to support magnets |
| Dimensions | L: 1 3/32" (27.3mm), W: 5/16" (8mm), H: 11/16" (17.6mm) |

